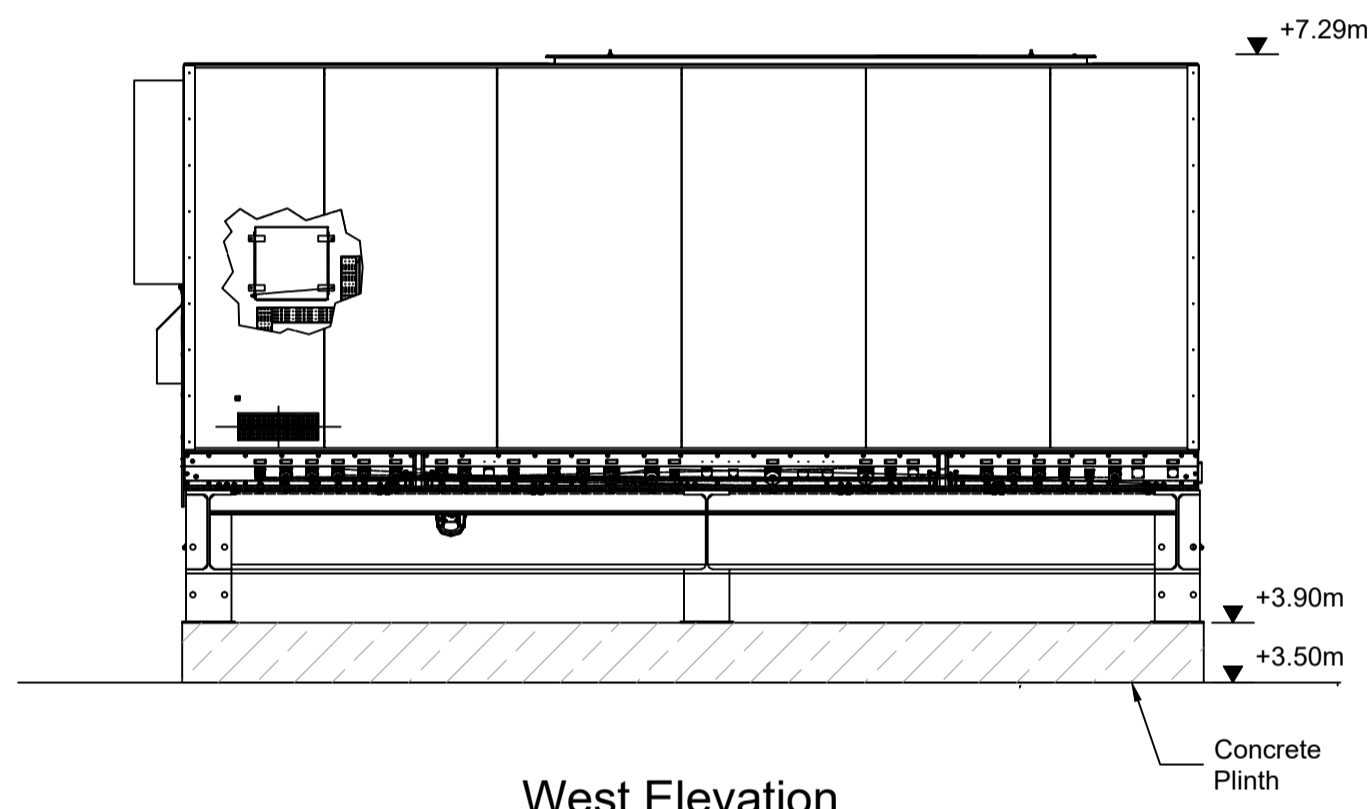
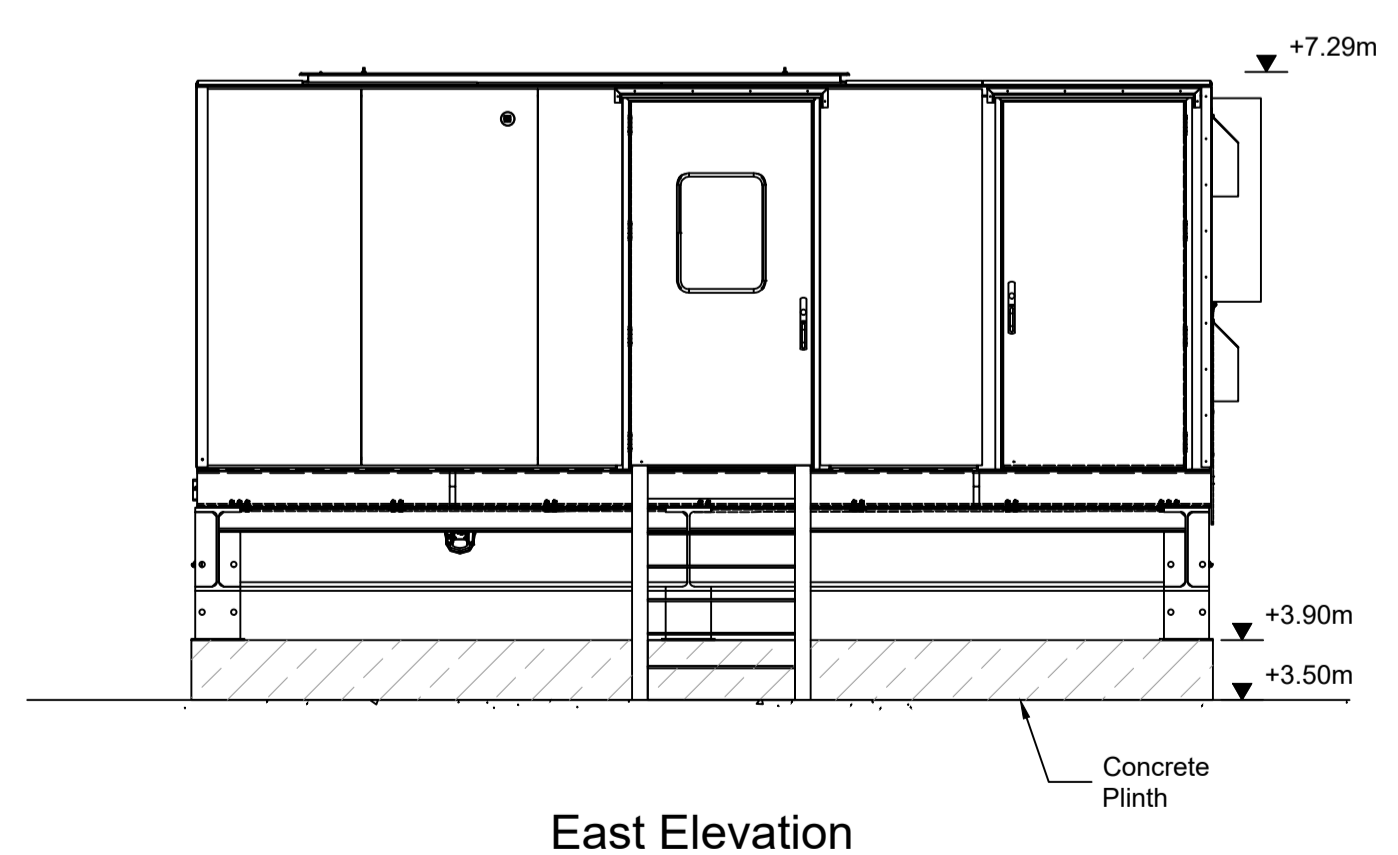


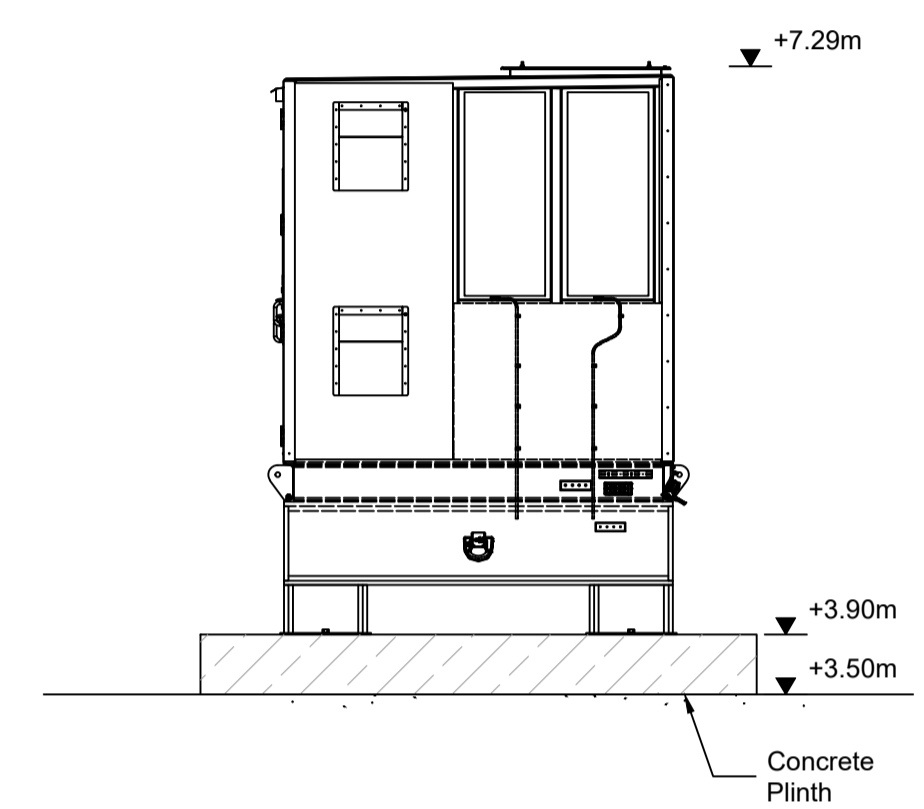
Plan View



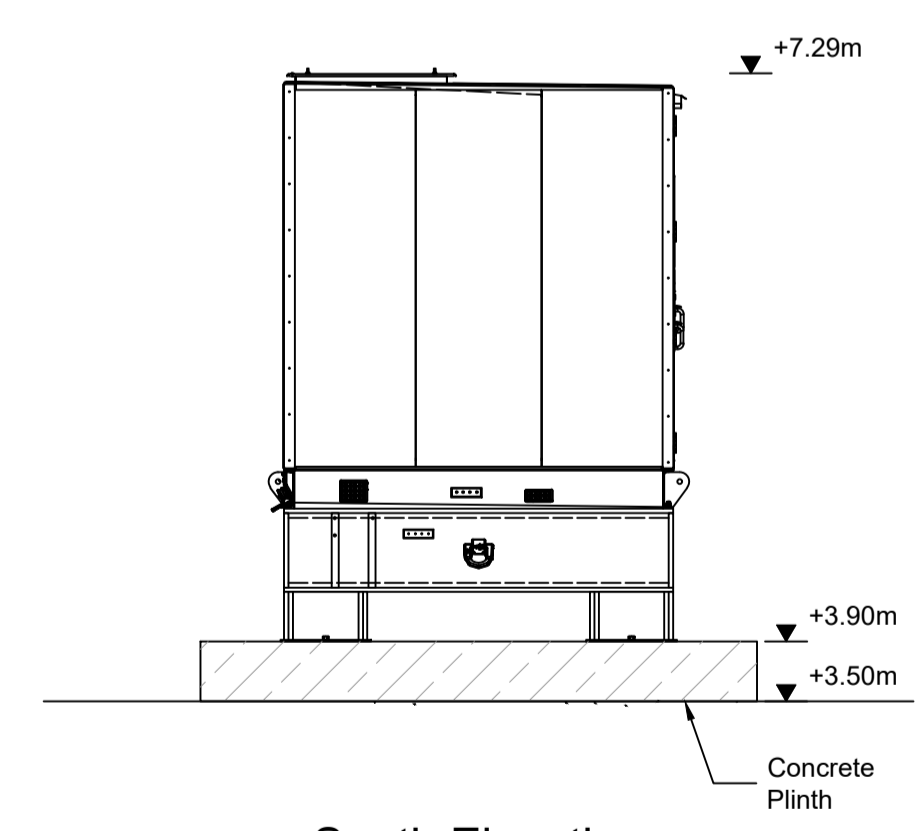
West Elevation



East Elevation



North Elevation



South Elevation

Notes

1. For planning purposes only.
2. All dimensions are in millimetres unless otherwise noted.
3. All levels are in metres above Malin Head datum.

Key to symbols

Reference drawings
229101053-MMD-00-XX-DR-C-0011 Proposed Site Layout

Rev	Date	Drawn	Description	Ch'k'd	App'd
PL2	20/06/2022	SHY	Issued for Planning	ESB	DH
PL1	27/05/2022	SHY	Issued for Planning	ESB	DH

M
MOTT
MACDONALD

South Block
Rockfield
Dundrum
Dublin 16
Ireland
T +353 (0)1 291 6700
F
W www.mottmac.com

Client
Electricity Supply Board

Title
**North Wall Emergency
Generation Plant**

**LM2500Xpress Control House
Plan Layout & Section**

Designed	ESB	Eng check	ESB
Drawn	S. Healy	Coordination	D. Hassett
Dwg check	L. Gough	Approved	D. Hassett
Scale at A1	Status	Rev	Security
1:50	APR	PL2	STD
Drawing Number 229101053-MMD-00-XX-DR-C-0053			

